

APP CRS	Rwy Idg	N/A
<b>342°</b>	TDZE	N/A
	Apt Elev	<b>4705</b>

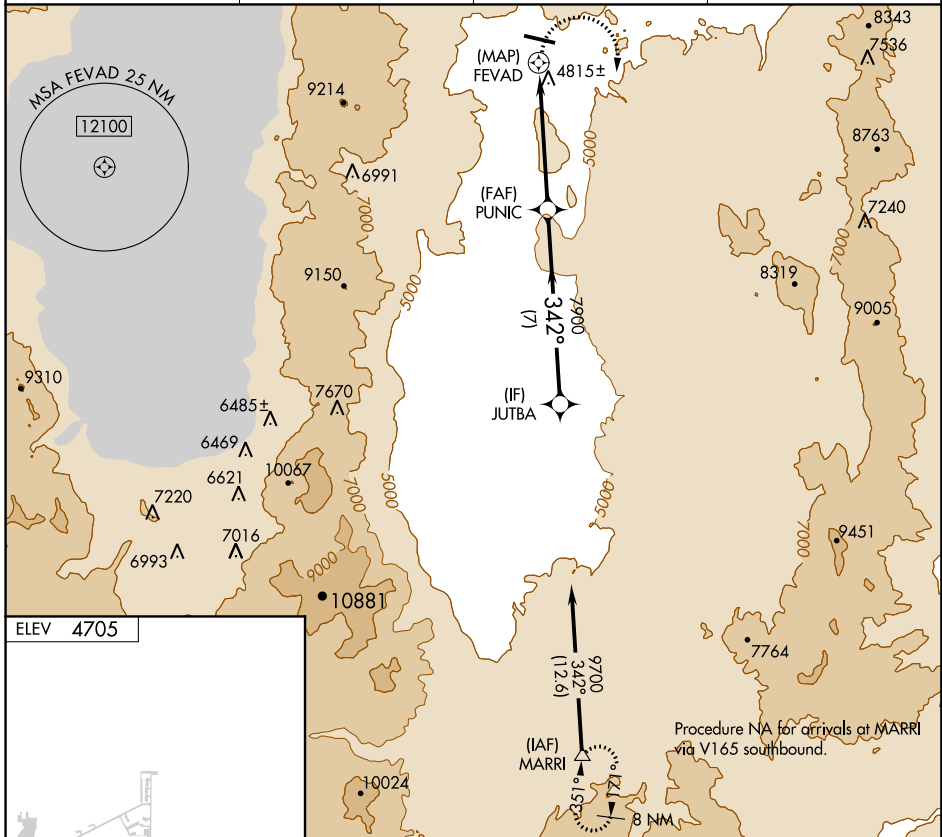
# RNAV (GPS)-A

CARSON (CXP)

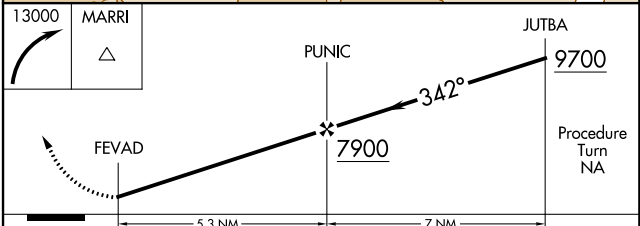
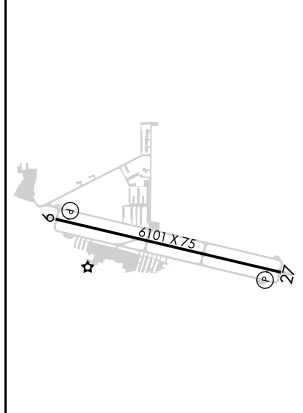
**NA** DME/DME RNP-0.3 NA. Procedure NA at night.  
When local altimeter setting not received, use Reno/Tahoe  
Inf altimeter setting and increase all MDA 540 feet.

**MISSED APPROACH:** Climbing right turn to 13000 direct MARRI and hold, continue climb-in-hold to 13000.

AWOS-3PT <b>119.925</b>	NORCAL APP CON <b>119.2 279.55</b>	CLNC DEL <b>133.25</b>	UNICOM <b>123.0 (CTAF)</b>
----------------------------	---------------------------------------	---------------------------	-------------------------------



ELEV **4705**



TDZL Rwy 9 and 27	MIRL Rwy 9-27	REIL Rwy 9 and 27		
CATEGORY	A	B	C	D
CIRCLING	6380-1¼ 1675 (1700-1¼)	6380-1½ 1675 (1700-1½)	6380-3 1675 (1700-3)	6440-3 1735 (1800-3)

SW-4, 11 OCT 2018 to 08 NOV 2018

SW-4, 11 OCT 2018 to 08 NOV 2018