

WAAS CH 97725 W27A	APP CRS 274°	Rwy Idg TDZE Apt Elev	3541 288 289
--	------------------------	-----------------------------	---

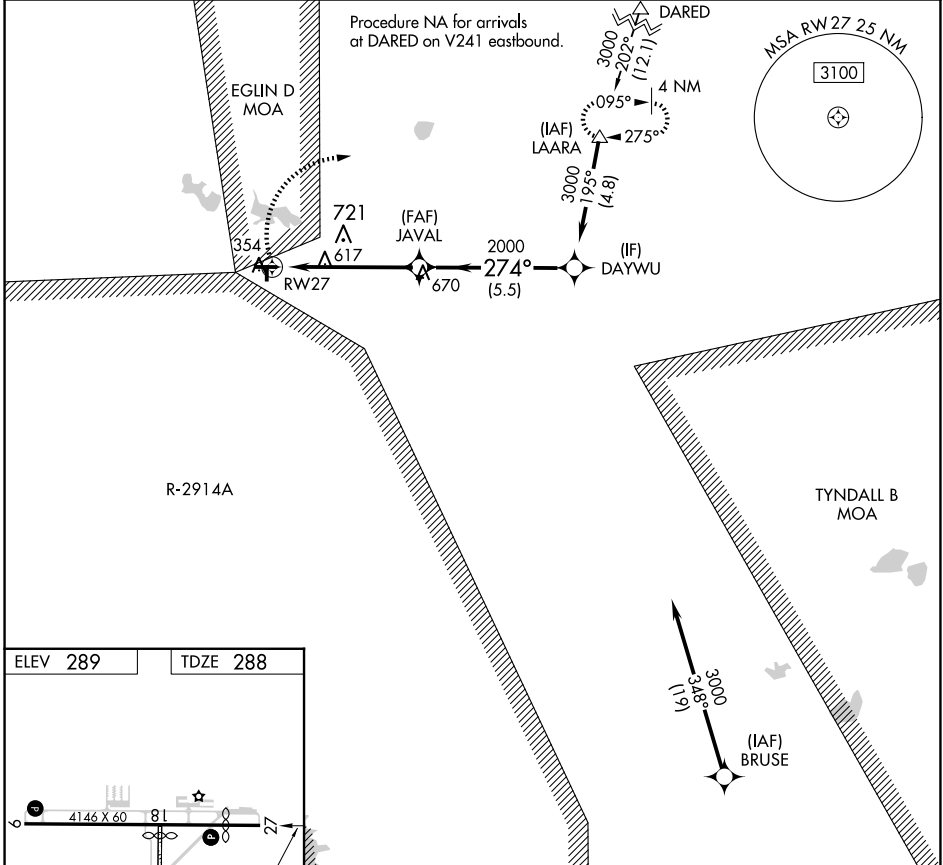
RNAV (GPS) RWY 27

DEFUNIAK SPRINGS (54J)

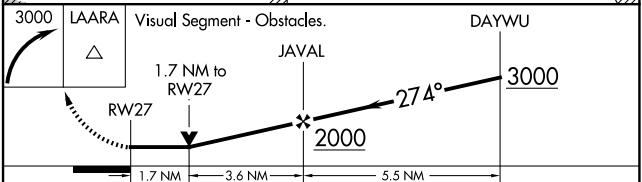
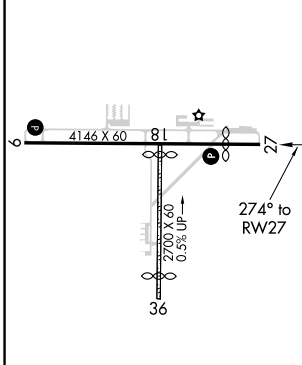
RNP APCH.
 ⚠ Circling NA to Rwy 18 and 36. Circling Rwy 9 NA at night.
 ⚠ Rwy 27 helicopter visibility reduction below 3/4 SM NA.

MISSED APPROACH: Climbing right turn to 3000
 direct LAARA and hold.

AWOS-3P 118.725	EGLIN APP CON 124.05 284.65	UNICOM 123.05 (CTAF) 0
---------------------------	---------------------------------------	----------------------------------



ELEV 289	TDZE 288
----------	----------



CATEGORY	A	B	C	D
LP MDA	880-1	592 (600-1)		NA
LNAV MDA	880-1	592 (600-1)		NA
CIRCLING	880-1	920-1		NA
	591 (600-1)	631 (700-1)		

SE-3, 15 MAY 2025 to 12 JUN 2025

SE-3, 15 MAY 2025 to 12 JUN 2025