

LIKES THREE ARRIVAL (RNAV)

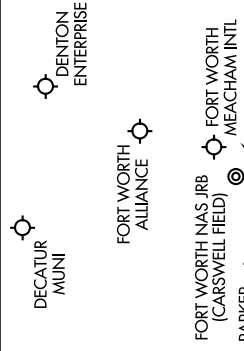
FORT WORTH, TEXAS

SC-2, 12 OCT 2017 to 09 NOV 2017

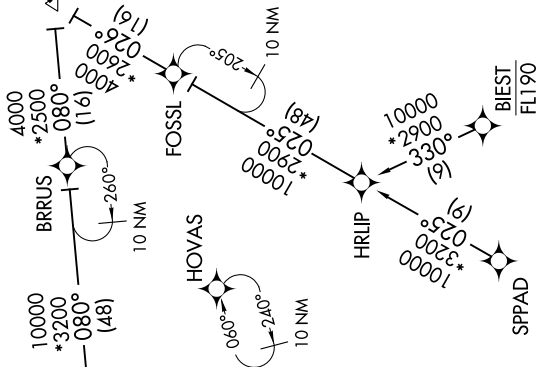
REGIONAL APP CON
 135.975 125.8 257.95
 FORT WORTH ALLIANCE ATIS
 126.925
 FORT WORTH NAS JRB (CARSWELL FIELD) ATIS *
 351.675
 FORT WORTH MEACHAM INTL ATIS
 120.7



NOTE: RADAR required.
 NOTE: RNAV 1.
 NOTE: DME/DME/IRU or GPS required.



VERTICAL NAVIGATION PLANNING INFORMATION
TURBOJET:
 When DFW is in south flow
 Expect 8000
 When DFW is in north flow
 Expect 6000
PROPS:
 Expect 5000



ARRIVAL ROUTE DESCRIPTION

BIEST TRANSITION (BIEST.LIKES3): (For ACT and GRK terminal area departures only.)

FOSSL TRANSITION (FOSSL.LIKES3): (For ACT and GRK terminal area departures only.)

GEEKY TRANSITION (GEEKY.LIKES3)

LYMPY TRANSITION (LYMPY.LIKES3): (For ABI terminal area departures only.)

SPPAD TRANSITION (SPPAD.LIKES3)

From SLUGG on track 044° to LIKES, then on track 044°. Expect RADAR vectors to final approach course.

NOTE: Chart not to scale.

SC-2, 12 OCT 2017 to 09 NOV 2017

LIKES THREE ARRIVAL (RNAV)

FORT WORTH, TEXAS