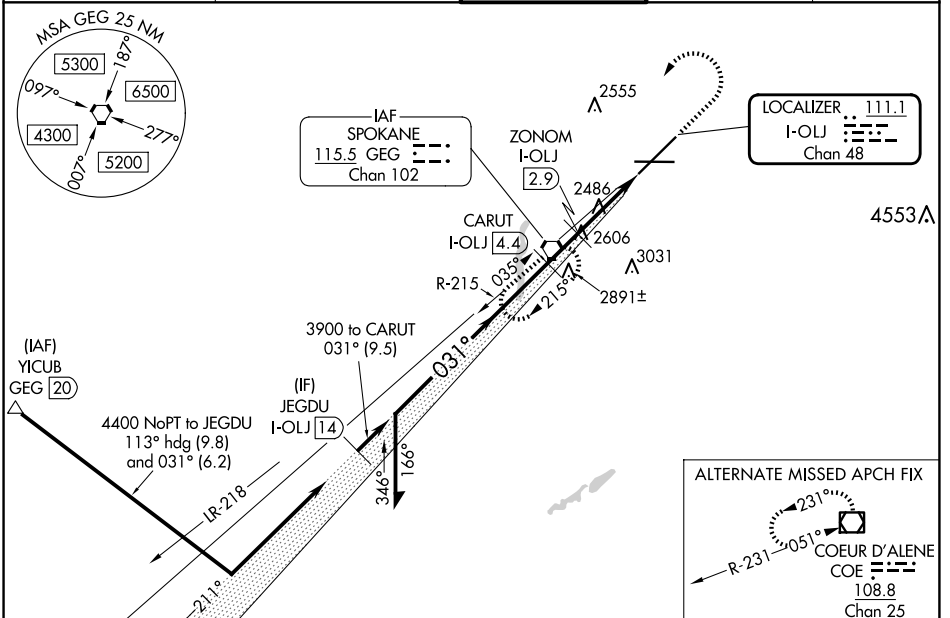


LOC/DME I-OLJ 111.1 Chan 48	APP CRS 031°	Rwy Ldg TDZE Apt Elev	11002 2385 2385
---	------------------------	-----------------------------	--

ILS or LOC RWY 3

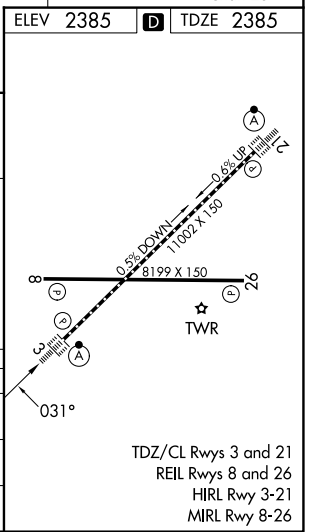
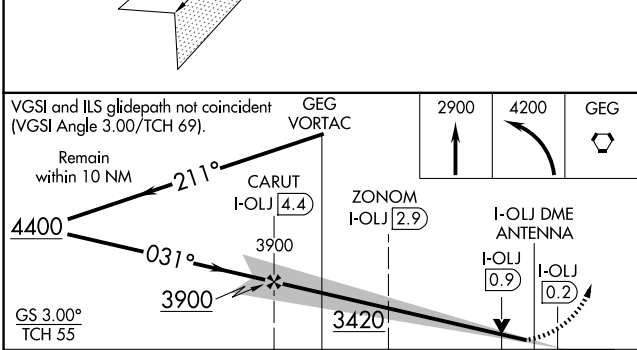
SPOKANE INTL (GEG)

DME required for localizer only.		ALSIF-2	MISSED APPROACH: Climb to 2900 then climbing left turn to 4200 direct GEG VORTAC and hold, continue climb-in-hold to 4200.	
<p>▼ For inop ALS, increase S-LOC 3 Cat C/D visibility to RVR 5500.</p> <p>▲</p>				
ATIS 124.325 254.375	SPOKANE APP CON 123.75 282.25 (205°-025°) 133.35 263.0 (026°-204°)	SPOKANE TOWER 118.3 278.3	GND CON 121.9 348.6	CLNC DEL 127.55



NW-1, 07 AUG 2025 to 04 SEP 2025

NW-1, 07 AUG 2025 to 04 SEP 2025



CATEGORY	A	B	C	D
S-ILS 3	2585/18 200 (200-½)			
S-LOC 3	2780/24	395 (400-½)	2780/35	395 (400-¾)
CIRCLING	2960-1 575 (600-1)	2980-1 595 (600-1)	3180-2¼ 795 (800-2¼)	3380-3 995 (1000-3)