

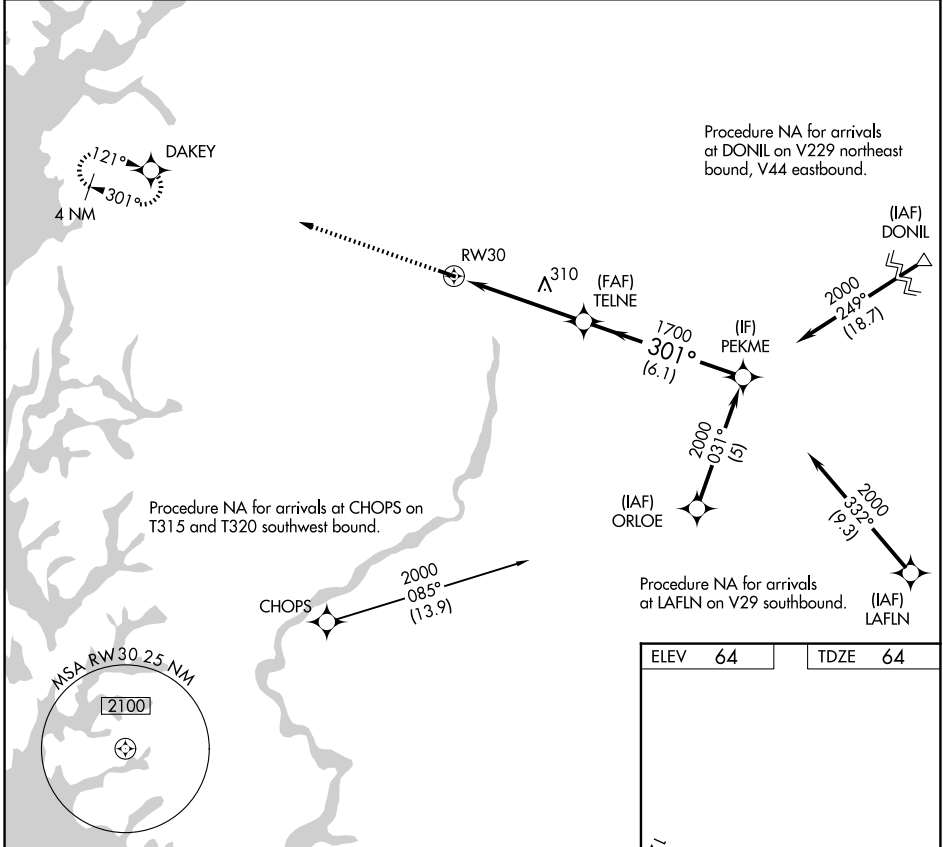
APP CRS 301°	Rwy Ldg 3214 TDZE 64 Apt Elev 64
------------------------	---

RNAV (GPS) RWY 30

GOODEN AIRPARK (RJD)

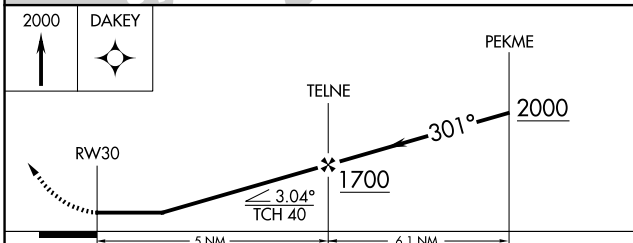
RNP APCH - GPS. ▼ Procedure NA at night. Use Easton altimeter setting; when not received, procedure NA. Rwy 30 helicopter visibility reduction below 1 SM NA. ▲ NA	MISSED APPROACH: Climb to 2000 direct DAKEY and hold.
--	---

ESN AWOS-3PT 124.475	DOVER APP CON 132.425 257.875	UNICOM 122.8 (CTAF) 0
--------------------------------	---	---------------------------------

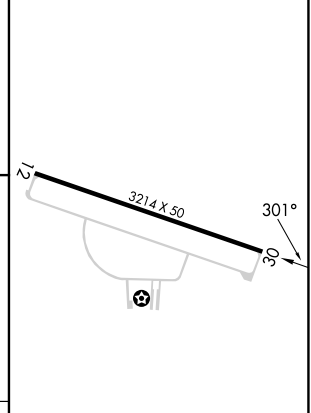


NE-3, 07 AUG 2025 to 04 SEP 2025

NE-3, 07 AUG 2025 to 04 SEP 2025



ELEV 64	TDZE 64
---------	---------



CATEGORY	A	B	C	D
LNAV MDA	660-1	596 (600-1)		NA
CIRCLING	660-1	596 (600-1)		NA

LIRL Rwy 12-30 0
REIL Rwy 12 and 30 0