

WAAS CH 62936 W30A	APP CRS 296°	Rwy Idg 3550 TDZE 1647 Apt Elev 1650
--	------------------------	---

RNAV (GPS) RWY 30

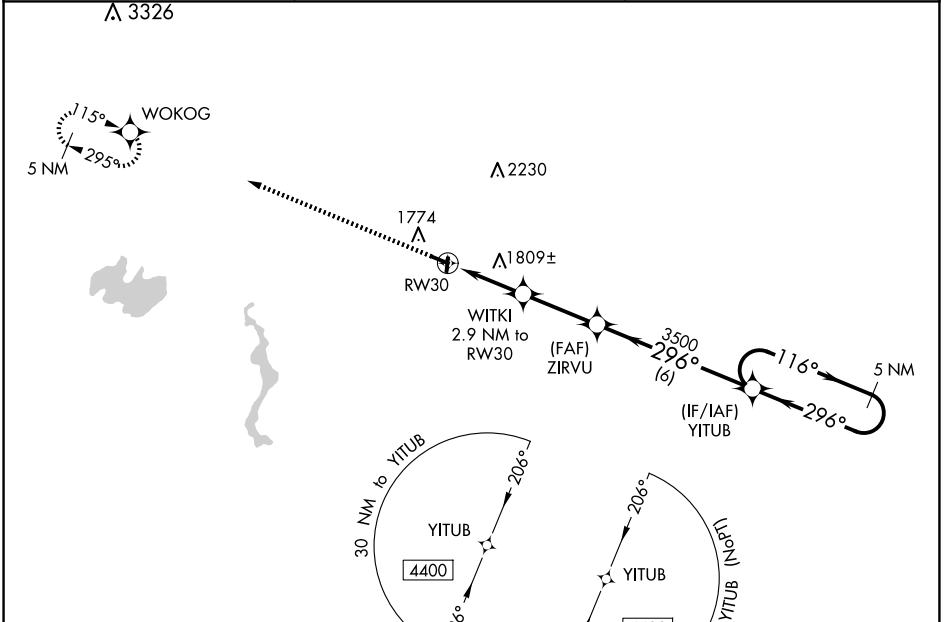
CRANDON/STEVE CONWAY MUNI (Y55)

RNP APCH - GPS.

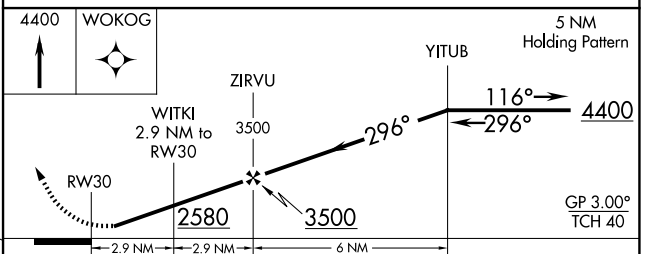
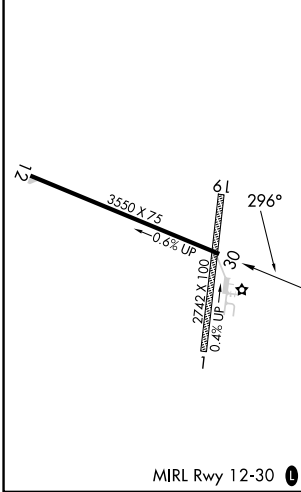
NA Baro-VNAV NA. Rwy 30 helicopter visibility reduction below 3/4 SM NA. Use Rhinelander altimeter setting, when not received, use Eagle River altimeter setting and increase LPV DA to 1965 feet; increase LNAV/VNAV DA to 2012 feet; increase all MDAs 20 feet. Circling to Rwsys 1, 19 NA.

MISSED APPROACH: Climb to 4400 direct WOKOG and hold.

RHI ASOS 126.825	MINNEAPOLIS CENTER 133.65 281.5	CTAF 122.9
----------------------------	---	----------------------



ELEV 1650	TDZE 1647
-----------	-----------



CATEGORY	A	B	C	D
LPV DA	1958-1 311 (400-1)			NA
LNAV/VNAV DA	2005-1 358 (400-1)			NA
LNAV MDA	2120-1	473 (500-1)	2120-1 3/8 473 (500-1 3/8)	NA
CIRCLING	2300-1 650 (700-1)	2340-1 690 (700-1)	2360-2 710 (800-2)	NA

EC-3, 15 MAY 2025 to 12 JUN 2025

EC-3, 15 MAY 2025 to 12 JUN 2025