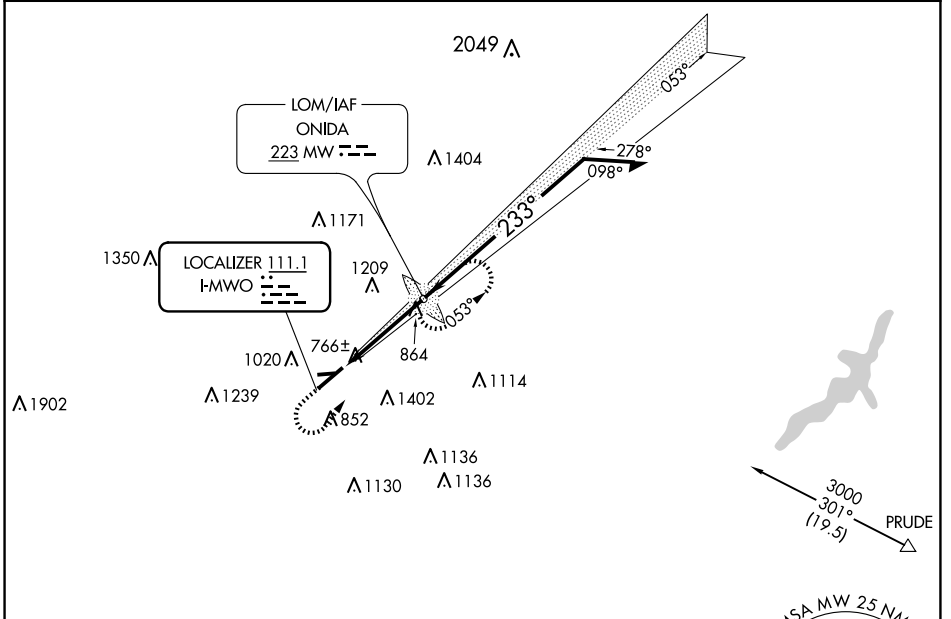


LOC I-MWO 111.1	APP CRS 233°	Rwy Idg 5801
		TDZE 650
		Apt Elev 651

LOC RWY 23

MIDDLETOWN RGNL/HOOK FLD (MWO)

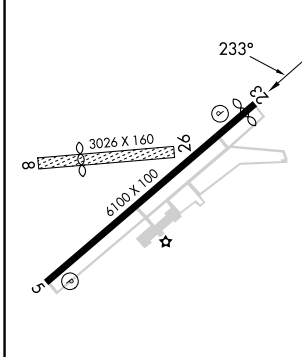
ADF required.	<p>▽ Circling Rwy 5 NA at night. Circling NA to Rwys 8 and 26. Rwy 23 helicopter visibility reduction below ¼ SM NA. When local altimeter setting not received, use Dayton/Wright Brothers altimeter setting and increase all MDAs 80 feet and S-23 Cat C/D visibility ¼ SM.</p>	MISSED APPROACH: Climb to 2600 then climbing left turn to 3000 direct MW LOM and hold.
AWOS-3PT 120.025		COLUMBUS APP CON 118.85 269.275



EC-2, 15 MAY 2025 to 12 JUN 2025

EC-2, 15 MAY 2025 to 12 JUN 2025

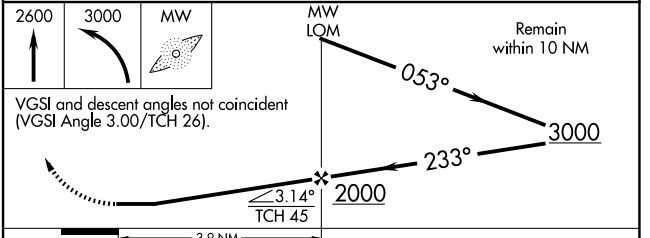
ELEV 651	TDZE 650
----------	----------



MIRL Rwy 5-23
REL Rwys 5 and 23

FAF to MAP 3.9 NM

Knots	60	90	120	150	180
Min:Sec	3:54	2:36	1:57	1:34	1:18



CATEGORY	A	B	C	D
S-23	1140-1	490 (500-1)	1140-1⅜ 490 (500-1⅜)	1140-1½ 490 (500-1½)
CIRCLING	1480-1¼	829 (900-1¼)	1720-3 1069 (1100-3)	1940-3 1289 (1300-3)

LOC RWY 23