


LOC I-IWD 111.5	APP CRS 270°	Rwy ldg 6501
		TDZE 1230
		Apt Elev 1230

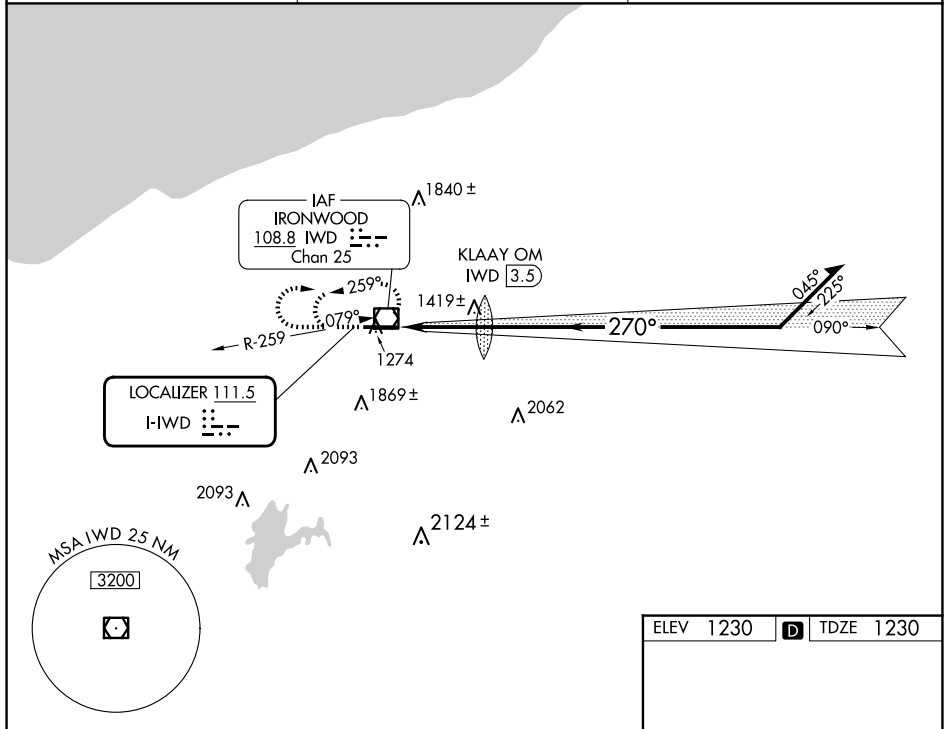
ILS or LOC RWY 27

GOGEBIC/IRON COUNTY (IWD)

When local altimeter setting not received, use ASX altimeter setting: increase DA to 1562 feet; increase all MDAs 140 feet and S-LOC 27 visibility Cats C and D 1/2 SM and Circling visibility Cat B 1/4 SM. For inop ALS when using ASX altimeter setting, increase S-ILS 27 all Cats visibility to 1 SM.

MALSR

 MISSED APPROACH:
 Climb to 3300 then right turn direct IWD VOR/DME and hold.

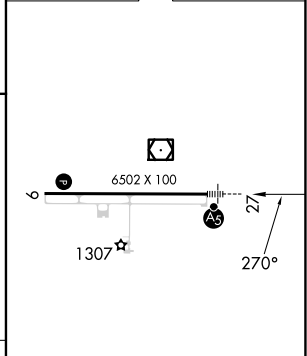
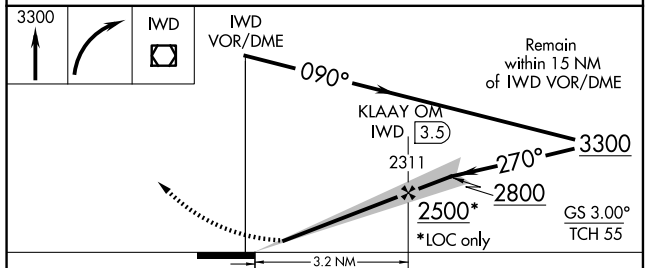
AWOS-3PT 125.175	MINNEAPOLIS CENTER 133.55	UNICOM 122.8 (CTAF)
----------------------------	-------------------------------------	-------------------------------



EC-1, 15 MAY 2025 to 12 JUN 2025

EC-1, 15 MAY 2025 to 12 JUN 2025

ELEV 1230	D	TDZE 1230
-----------	---	-----------



CATEGORY	A	B	C	D
S-ILS 27		1430-1/2	200 (200-1/2)	
S-LOC 27	1720-1/2	490 (500-1/2)	1720-1	490 (500-1)
CIRCLING	2100-1/4	870 (900-1/4)	2200-3 970 (1000-3)	2220-3 990 (1000-3)

REIL Rwy 9	
HIRL Rwy 9-27	
FAF to MAP 3.2 NM	
Knots	60 90 120 150 180
Min:Sec	3:12 2:08 1:36 1:17 1:04