

WAAS CH <b>70321</b> <b>W26A</b>	APP CRS <b>258°</b>	Rwy Idg <b>11489</b> TDZE <b>1135</b> Apt Elev <b>1135</b>
--	------------------------	--

# RNAV (GPS) Y RWY 26

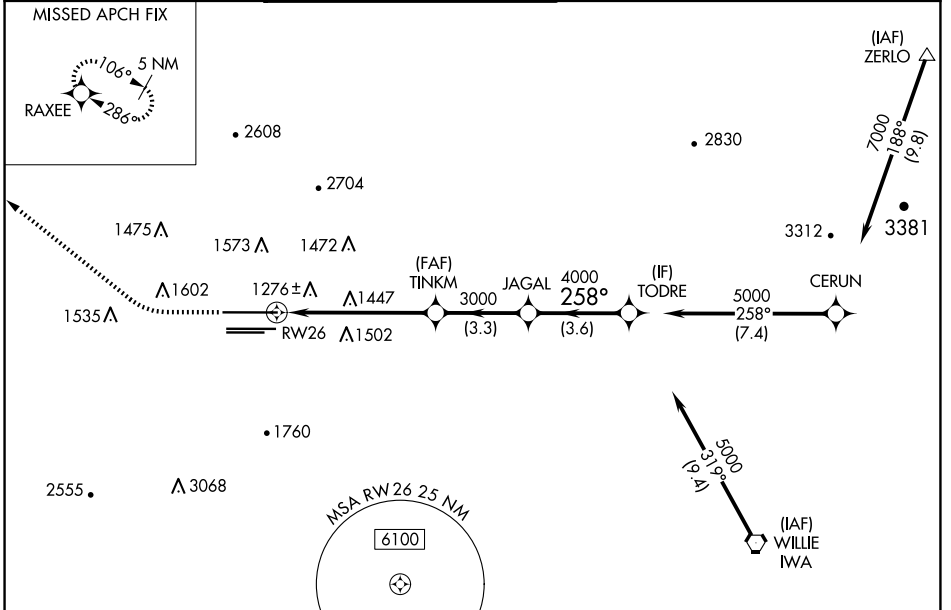
PHOENIX SKY HARBOR INTL (PHX)

RNP APCH-GPS.

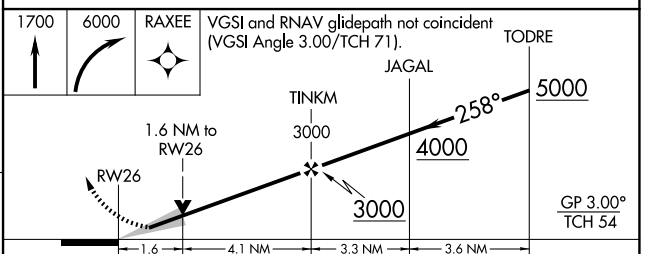
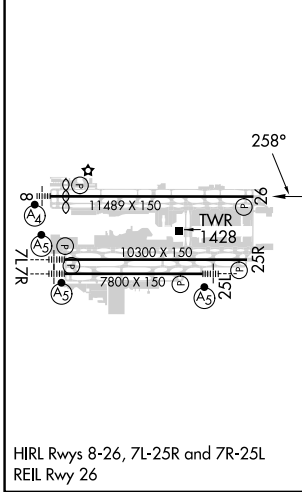
Simultaneous approach authorized. LNAV procedure NA during simultaneous operations. Use of FD or AP required during simultaneous operations. For uncompensated Baro-VNAV systems, procedure NA below 2°C or above 54°C.

MISSED APPROACH: Climb to 1700 then climbing right turn to 6000 direct RAXEE and hold.

D-ATIS <b>127.575</b>	PHOENIX APP CON <b>128.65 353.9</b>	PHOENIX TOWER <b>118.7 278.8</b> (Rwy 8-26) <b>120.9 254.3</b> (Rwy 7L-25R, 7R-25L)	GND CON <b>119.75 269.2</b> (N) <b>132.55 269.2</b> (S)	CLNC DEL <b>118.1 269.2</b>	CPDLC
--------------------------	--	---	---	--------------------------------	-------



ELEV 1135	<b>D</b>	TDZE 1135
-----------	----------	-----------



CATEGORY	A	B	C	D
LPV DA		1390-3/4	255 (300-3/4)	
LNAV/VNAV DA		1581-1 3/8	446 (500-1 3/8)	
LNAV MDA	1700-1	565 (600-1)	1700-1 1/8	565 (600-1 1/8)
CIRCLING	1740-1	605 (700-1)	2040-2 3/4 905 (1000-2 3/4)	2340-3 1205 (1300-3)

SW-4, 15 MAY 2025 to 12 JUN 2025

SW-4, 15 MAY 2025 to 12 JUN 2025