

APP CRS	Rwy Idg	4651
267°	TDZE	4896
	Apt Elev	4900

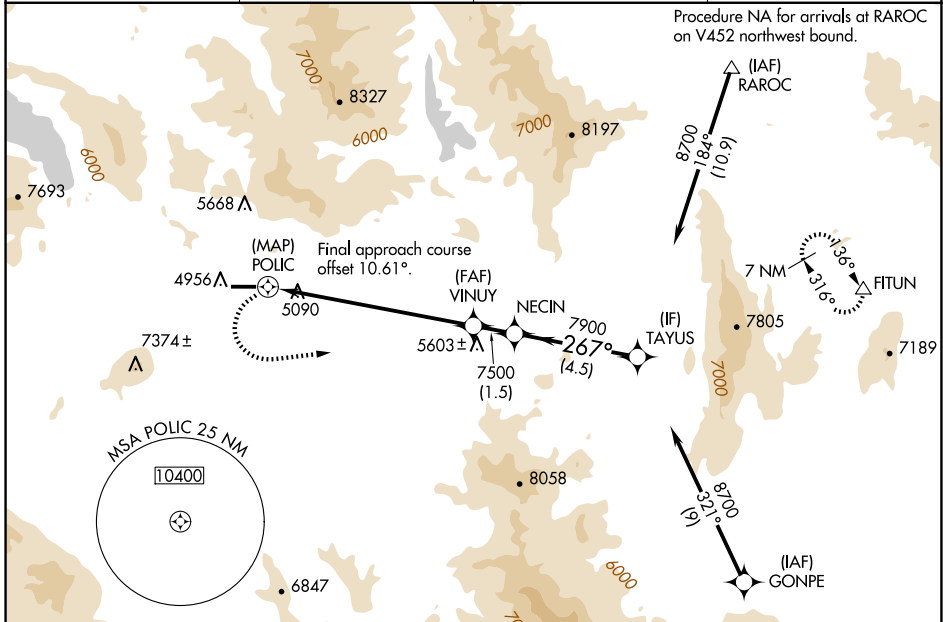
RNAV (GPS) Y RWY 26

NERVINO (O02)

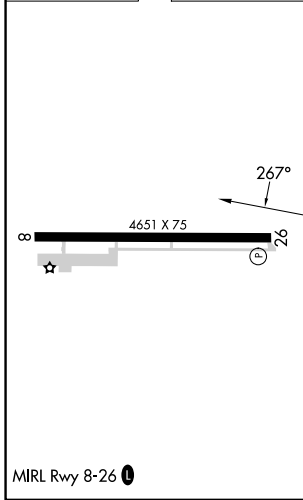
Procedure NA at night. Use Reno/Stead altimeter setting; when not received, use Reno/Tahoe Intl altimeter setting and increase all MDA 180 feet. DME/DME RNP-0.3 NA. 8, 26 Rwy helicopter visibility reduction below 1 SM NA.

MISSED APPROACH: Climbing left turn to 10000 direct FITUN and hold.

AWOS-2 119.35	RTS AWOS-3 135.175	NORCAL APP CON 126.3 353.9	UNICOM 122.8 (CTAF)
--------------------------------	-------------------------------------	---	--------------------------------------



ELEV 4900	TDZE 4896
-----------	-----------



CATEGORY	A	B	C	D
LNAV MDA	7300-1¼ 2404 (2400-1¼)	7300-1½ 2404 (2400-1½)	7300-3	2404 (2400-3)
CIRCLING	7300-1¼ 2400 (2400-1¼)	7300-1½ 2400 (2400-1½)	7300-3	2400 (2400-3)

SW-2, 15 MAY 2025 to 12 JUN 2025

SW-2, 15 MAY 2025 to 12 JUN 2025