

# RNAV (RNP) Z RWY 8L HARTSFIELD/JACKSON ATLANTA INTL (ATL)

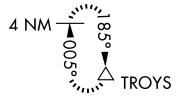
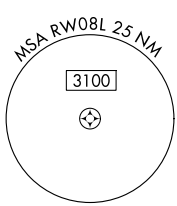
APP CRS	Rwy Idg	<b>8800</b>
<b>095°</b>	TDZE	<b>1015</b>
	Apt Elev	<b>1026</b>

RNP AR APCH - GPS.

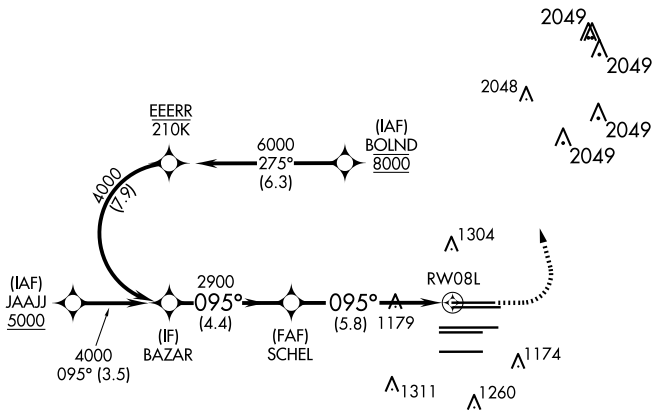
▼ For uncompensated Baro-VNAV systems, procedure NA below -5°C or above 54°C.  
For inop ALS, increase RNP 0.15 all Cats RVR to 5500. Simultaneous approach authorized. Arrival from BOLND NA during simultaneous triple approaches.

ALS-2  
MISSED APPROACH: Climb to 1500 then climbing left turn to 3500 direct TROYS and hold.

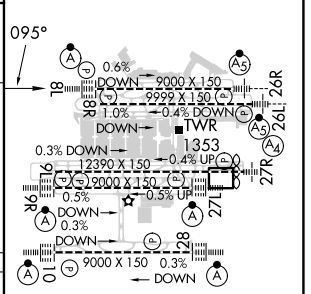
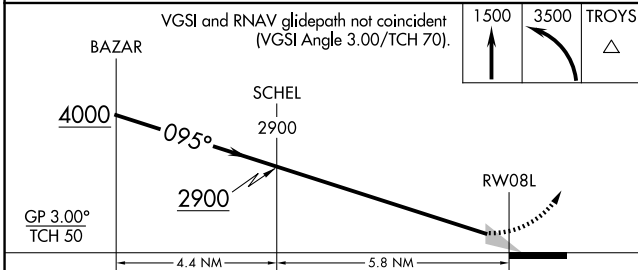
D-ATIS	ATLANTA APP CON	ATLANTA TOWER					ALL RWYS	GND CON	ALL RWYS
ARR <b>119.65</b>		8L-26R	8R-26L	9L-27R	9R-27L	10-28	(8L-26R,8R-26L)	(9L-27R,9R-27L)	10-28
DEP <b>125.55</b>	<b>127.9 379.9</b>	<b>119.1</b>	<b>125.325</b>	<b>123.85</b>	<b>119.3</b>	<b>119.5</b>	<b>254.4</b>	<b>121.9</b>	<b>121.75</b>
								<b>121.65</b>	<b>254.4</b>



CLNC DEL	CPDLC
<b>118.1</b>	



ELEV 1026	<b>D</b>	TDZE 1015
-----------	----------	-----------



GP 3.00°	TCH 50			
CATEGORY	A	B	C	D
RNP 0.15 DA		1380/35	365 (400-%)	
RNP 0.30 DA		1458/45	443 (500-%)	

## AUTHORIZATION REQUIRED

HIRL all Rwys  
TDZ/CL Rwys 8L, 9R, 10, 26R,  
27L and 28

SE-4, 15 MAY 2025 to 12 JUN 2025

SE-4, 15 MAY 2025 to 12 JUN 2025