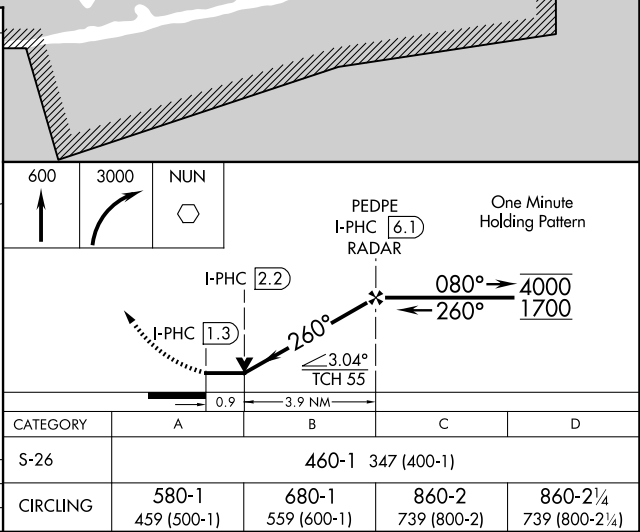
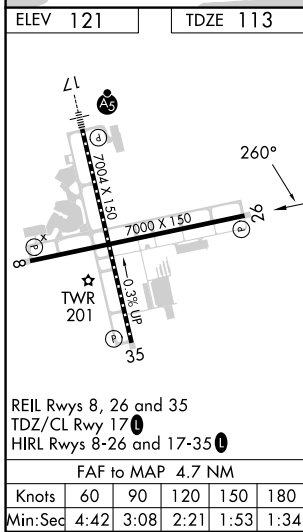
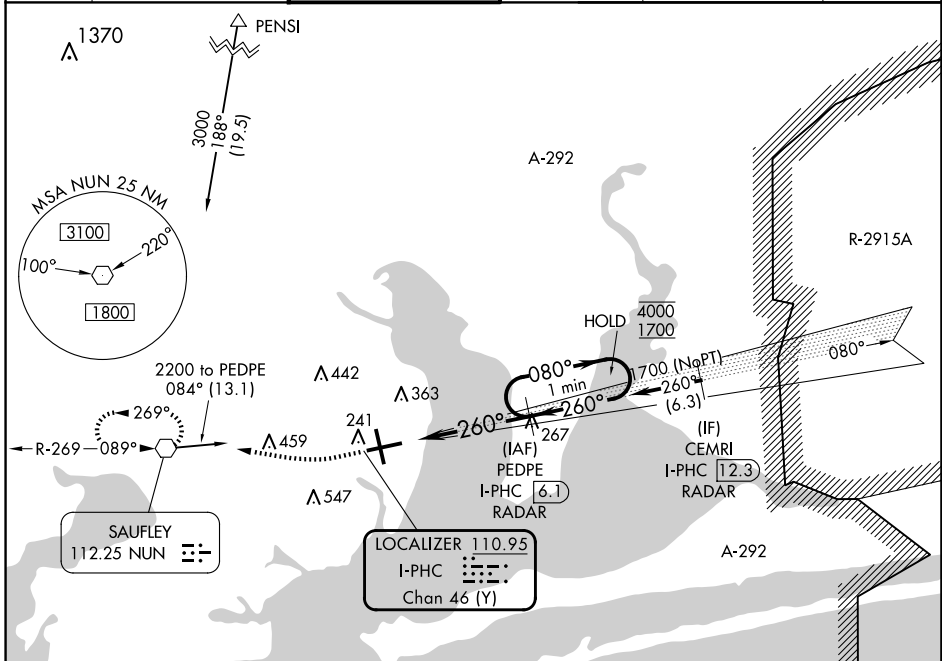


LOC/DME I-PHC 110.95 Chan 46 (Y)	APP CRS 260°	Rwy Idg 7000 TDZE 113 Apt Elev 121
--	------------------------	---

LOC RWY 26

PENSACOLA INTL (PNS)

DME or RADAR required.		MISSED APPROACH: Climb to 600 then climbing right turn to 3000 direct NUN VOR and hold, continue climb-in-hold to 3000.			
ATIS 121.25	PENSACOLA APP CON 119.0 269.375	PENSACOLA TOWER ★ 119.9 (CTAF) 257.8	GND CON 121.9 348.6	CLNC DEL 123.725 256.875	UNICOM 122.95



SE-3, 15 MAY 2025 to 12 JUN 2025

SE-3, 15 MAY 2025 to 12 JUN 2025