

LOC/DME I-BUL 110.9 Chan 46	APP CRS 092°	Rwy Idg 11397 TDZE 8 Apt Elev 9
---	------------------------	--

ILS or LOC RWY 9

MIAMI INTL (MIA)

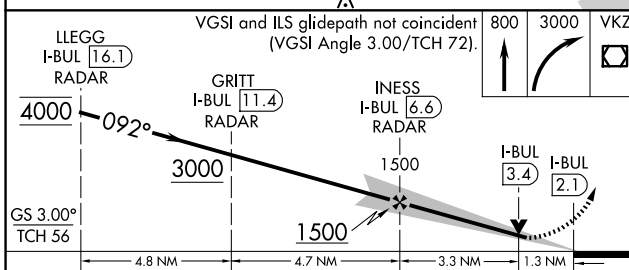
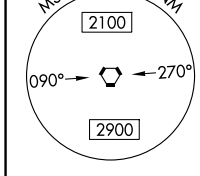
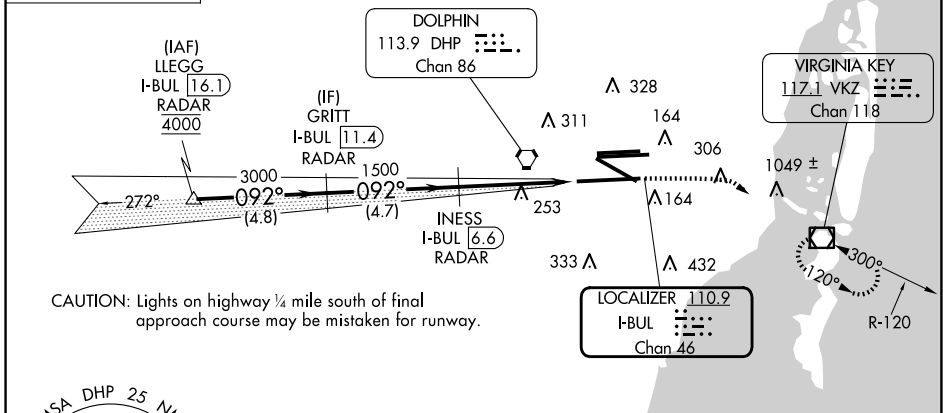
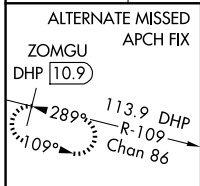
RADAR required for procedure entry. DME required for LOC only.

Autopilot coupled approach NA. Simultaneous approach authorized. For inop ALS, increase S-ILS 9 Cat E visibility to RVR 4000 and S-LOC 9 Cat C/D visibility to 1 3/8 SM. *RVR 1800 authorized with use of FD or HUD to DA.



MISSED APPROACH: Climb to 800 then climbing right turn to 3000 direct VKZ VOR/DME and hold, continue climb-in-hold to 3000.

D-ATIS ARR 119.15 DEP 133.675	MIAMI APP CON 124.85 322.3	MIAMI TOWER 118.3 256.9	GND CON 121.8 (8L/8R/12/26L/26R) 127.5 (9/27/30)	348.6	CLNC DEL 135.35	CPDLC
---	--------------------------------------	-----------------------------------	--	--------------	---------------------------	-------



ELEV 9	TDZE 8
--------	--------

TDZ/CL Rwy 8R
REIL Rwys 8L and 26R
HIRL all Rwys

FAF to MAP 4.5 NM

Knots	60	90	120	150	180
Min:Sec	4:30	3:00	2:15	1:48	1:30

CATEGORY	A	B	C	D	E
S-ILS 9*	208/24		200 (200-1/2)		
S-LOC 9	480/24	472 (500-1/2)	480/50	472 (500-1)	NA

SE-3, 15 MAY 2025 to 12 JUN 2025

SE-3, 15 MAY 2025 to 12 JUN 2025