

WAAS CH 90333 W27A	APP CRS 276°	Rwy Idg TDZE Apt Elev	4557 9 9
--	------------------------	-----------------------------	-------------------------------------

RNAV (GPS) RWY 27

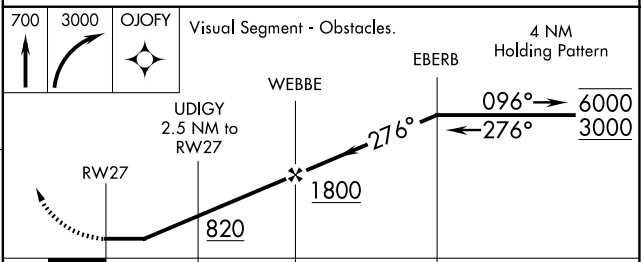
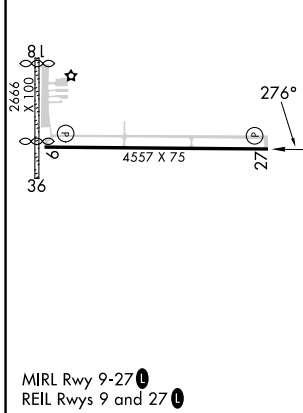
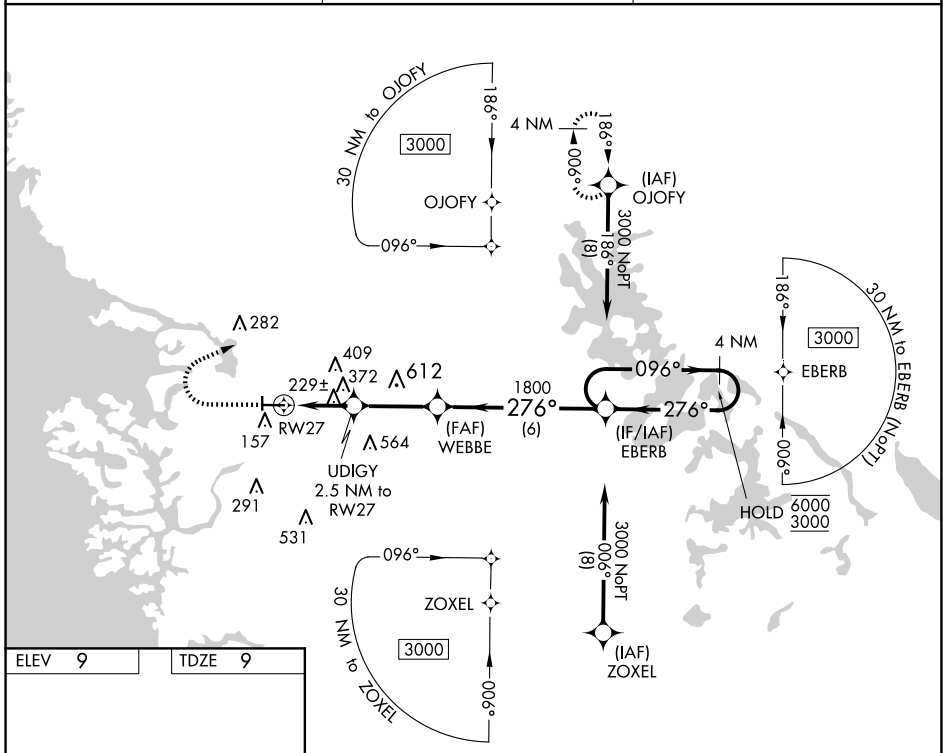
CRYSTAL RIVER/DAVIS FLD (CGC)

RNP APCH.

▼ Circling NA to Rwy 18 and 36. Procedure NA at night.
▲ Rwy 27 helicopter visibility reduction below 1 SM NA.

MISSED APPROACH: Climb to 700 then climbing right turn to 3000 direct OJOIFY and hold.

AWOS-3 118.325	JACKSONVILLE APP CON 118.6 251.15	UNICOM 122.725 (CTAF) 0
--------------------------	---	-----------------------------------



CATEGORY	A	B	C	D
LP MDA	480-1	471 (500-1)	480-1 $\frac{3}{8}$	471 (500-1 $\frac{3}{8}$)
LNAV MDA	640-1	631 (700-1)	640-1 $\frac{3}{4}$	631 (700-1 $\frac{3}{4}$)
C CIRCLING	640-1	631 (700-1)	760-2 $\frac{1}{4}$ 751 (800-2 $\frac{1}{4}$)	880-2 $\frac{3}{4}$ 871 (900-2 $\frac{3}{4}$)

SE-3, 15 MAY 2025 to 12 JUN 2025

SE-3, 15 MAY 2025 to 12 JUN 2025