

| | | |
|--|------------------------|---|
| LOC/DME I-JVW 108.55 Chan 22(Y) | APP CRS 124° | Rwy Idg 5499 TDZE 241 Apt Elev 247 |
|--|------------------------|---|

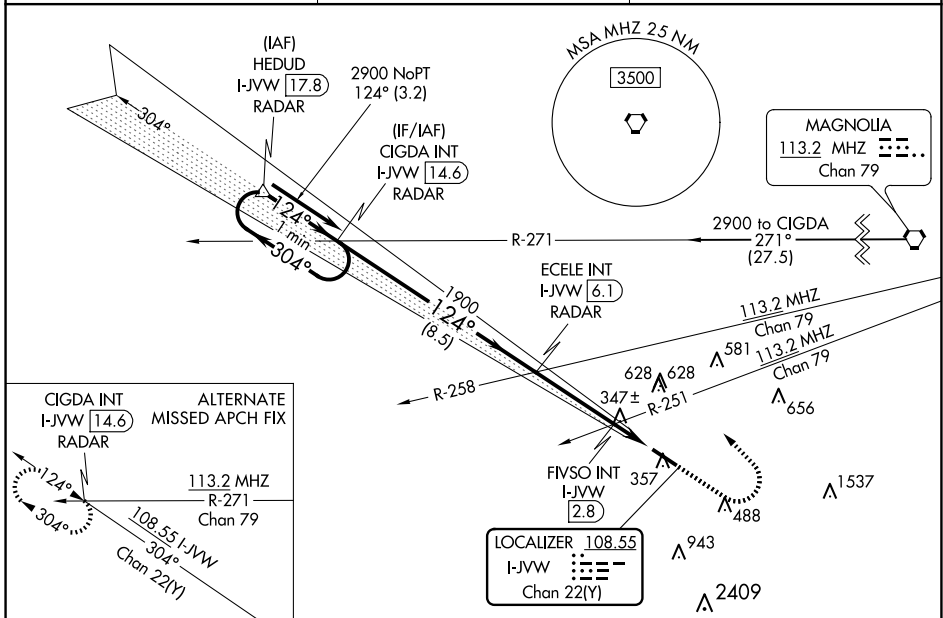
ILS or LOC RWY 12

JOHN BELL WILLIAMS (JVW)

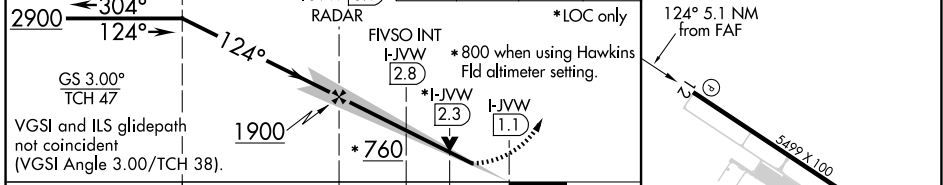
▼ VDP NA with Hawkins Fld altimeter setting. Circling NA for Cat D southwest of Rwy 12-30.
▲ When local altimeter setting not received, use Hawkins Fld altimeter setting: increase all DA 36 feet, all MDA 40 feet, S-LOC 12 Cat C and D visibilities ¼ mile, and Circling Cat C and D visibilities ¼ mile, increase FIVSO fix minimums S-LOC 12 Cat C and D visibilities ¼ mile and Circling Cat C and D visibilities ¼ mile.

MISSED APPROACH: Climb to 800 then climbing left turn to 2900 on heading 316° and on MHz VORTAC R-271 to CIGDA INT/I-JVW 14.6 DME and hold.

| | | |
|----------------------------|--|-------------------------------|
| AWOS-3PT 118.675 | JACKSON APP CON ★ 125.25 319.2 | UNICOM 123.0 (CTAF) |
|----------------------------|--|-------------------------------|



| | | | | | | | | | |
|----------------------------|----------------------|---------------------|-----|------|----------|-----------|-----------|----------|----------|
| One Minute Holding Pattern | CIGDA INT I-JVW 14.6 | ECELE INT I-JVW 6.1 | 800 | 2900 | hdg 316° | MHZ R-271 | CIGDA INT | ELEV 247 | TDZE 241 |
|----------------------------|----------------------|---------------------|-----|------|----------|-----------|-----------|----------|----------|



| CATEGORY | A | B | C | D |
|---|--|-------------|-----------------------|------------------------------|
| S-ILS 12 | 441 ^{-3/4} 200 (200 ^{-3/4}) | | | |
| S-LOC 12 | 760-1 | 519 (600-1) | 760 ^{-1 3/8} | 519 (600 ^{-1 3/8}) |
| C CIRCLING | 800-1 | 553 (600-1) | 733 (800-2) | 733 (800-2 1/4) |
| FIVSO FIX MINIMUMS (DUAL VOR RECEIVERS OR DME REQUIRED) | | | | |
| S-LOC 12 | 660-1 | 419 (500-1) | 660 ^{-1 1/8} | 419 (500 ^{-1 1/8}) |
| C CIRCLING | 800-1 | 553 (600-1) | 980-2 | 980-2 1/4 |
| | | | 733 (800-2) | 733 (800-2 1/4) |

MIRL Rwy 12-30
 REIL Rwy 12 and 30
 FAF to MAP 5.1 NM

| | | | | | |
|---------|------|------|------|------|------|
| Knots | 60 | 90 | 120 | 150 | 180 |
| Min:Sec | 5:06 | 3:24 | 2:33 | 2:02 | 1:42 |

SC-4, 15 MAY 2025 to 12 JUN 2025

SC-4, 15 MAY 2025 to 12 JUN 2025