

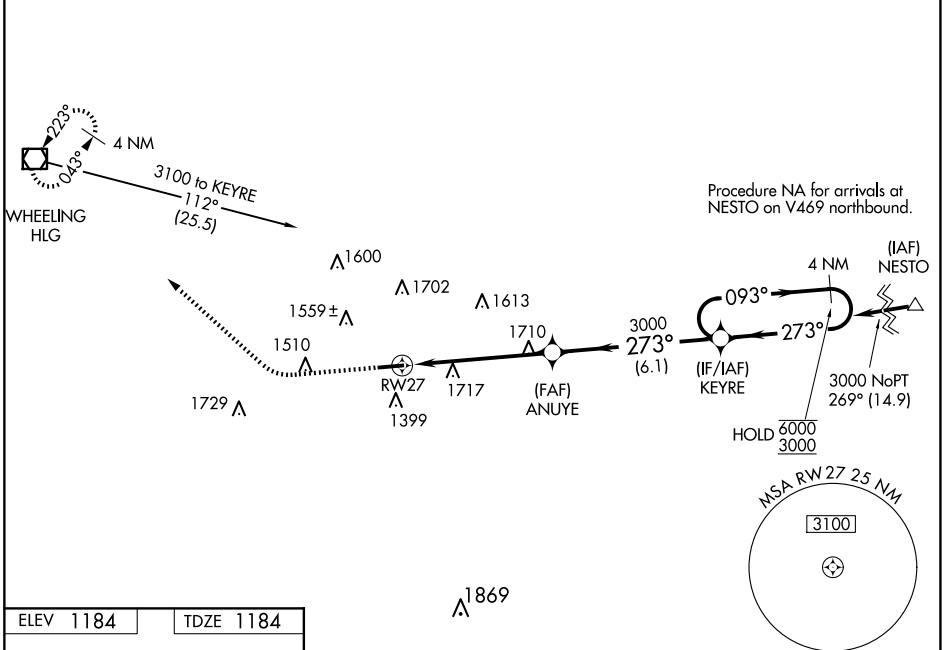
WAAS CH <b>90107</b> <b>W27A</b>	APP CRS <b>273°</b>	Rwy Idg TDZE Apt Elev	<b>5004</b> <b>1184</b> <b>1184</b>
--	------------------------	-----------------------------	---

# RNAV (GPS) RWY 27

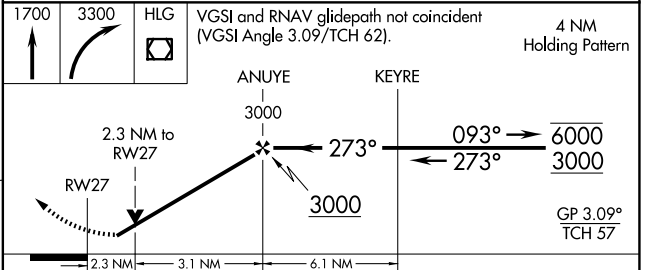
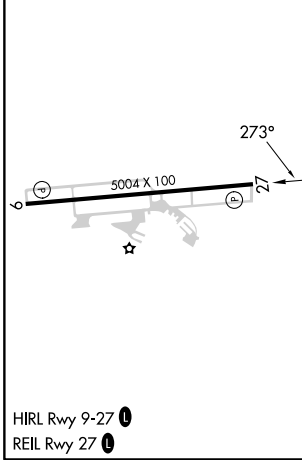
WASHINGTON COUNTY (A.F.J)

RNP APCH-GPS.	MISSED APPROACH: Climb to 1700 then climbing right turn to 3300 direct HLG VOR/DME and hold.
<p>⚠ Circling NA for Cat D N of Rwy 9-27. Rwy 27 helicopter visibility reduction below 3/4 SM NA.</p> <p>⚠ For uncompensated Baro-VNAV systems, LNAV/VNAV NA below -17°C or above 54°C. Circling Rwy 9 NA at night.</p>	

AWOS-3PT <b>119.175</b>	PITTSBURGH APP CON <b>119.35 285.575</b>	CLNC DEL <b>127.3</b>	UNICOM <b>122.975 (CTAF)</b>
----------------------------	---	--------------------------	---------------------------------



ELEV 1184 TDZE 1184



CATEGORY	A	B	C	D
LPV DA		1386-3/4	202 (300-3/4)	
LNAV/VNAV DA		2140-4	956 (1000-4)	
LNAV MDA	1980-1 796 (800-1)	1980-1 1/4 796 (800-1 1/4)	1980-2 1/2 796 (800-2 1/2)	796 (800-2 1/2)
CIRCLING	1980-1 796 (800-1)	2020-1 1/4 836 (900-1 1/4)	2020-2 1/2 836 (900-2 1/2)	2040-2 3/4 856 (900-2 3/4)

NE-4, 15 MAY 2025 to 12 JUN 2025

NE-4, 15 MAY 2025 to 12 JUN 2025