

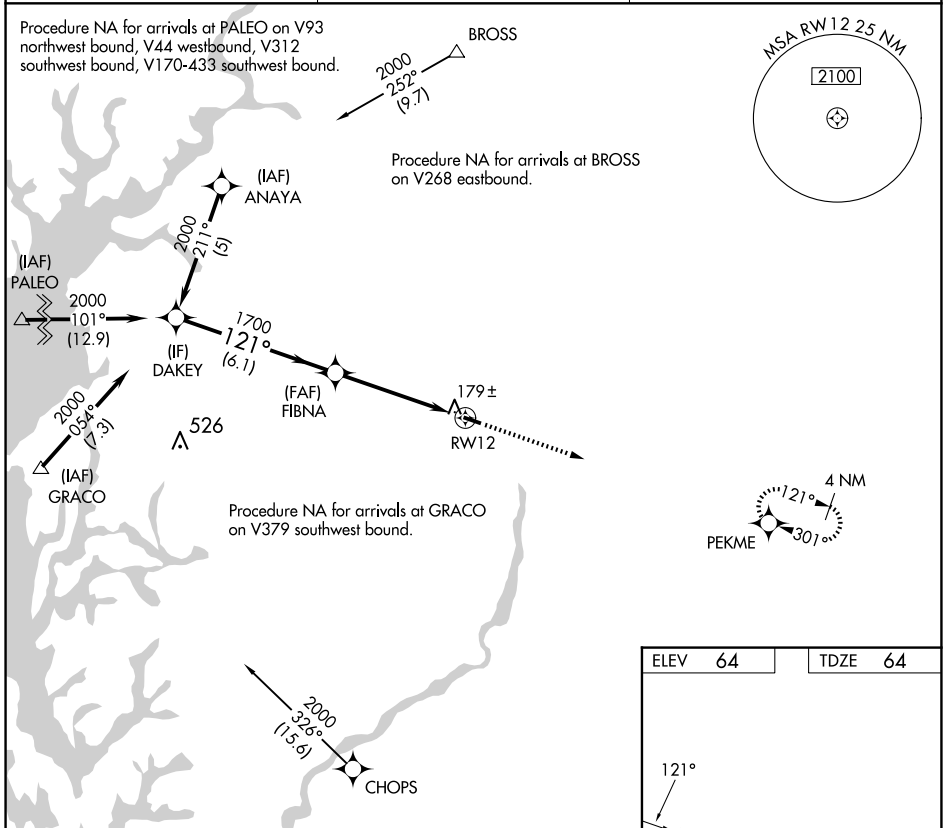
APP CRS	Rwy Idg	<b>3214</b>
<b>121°</b>	TDZE	<b>64</b>
	Apt Elev	<b>64</b>

# RNAV (GPS) RWY 12

GOODEN AIRPARK (RJD)

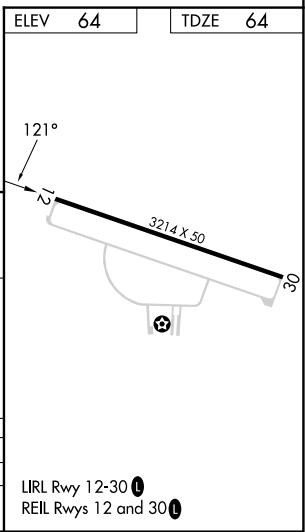
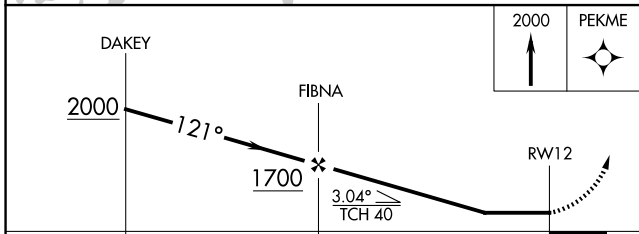
RNP APCH - GPS.	Procedure NA at night. Use Easton altimeter setting: when not received, procedure NA. Rwy 12 helicopter visibility reduction below 1 SM NA.	MISSED APPROACH: Climb to 2000 direct PEKME and hold.
-----------------	---	---

ESN AWOS-3PT <b>124.475</b>	POTOMAC APP CON <b>124.55 317.425</b>	UNICOM <b>122.8 (CTAF) 0</b>
--------------------------------	--	---------------------------------



NE-3, 15 MAY 2025 to 12 JUN 2025

NE-3, 15 MAY 2025 to 12 JUN 2025



	6.1 NM		5 NM	
CATEGORY	A	B	C	D
LNAV MDA	480-1	416 (500-1)	NA	
CIRCLING	520-1	456 (500-1)	NA	