

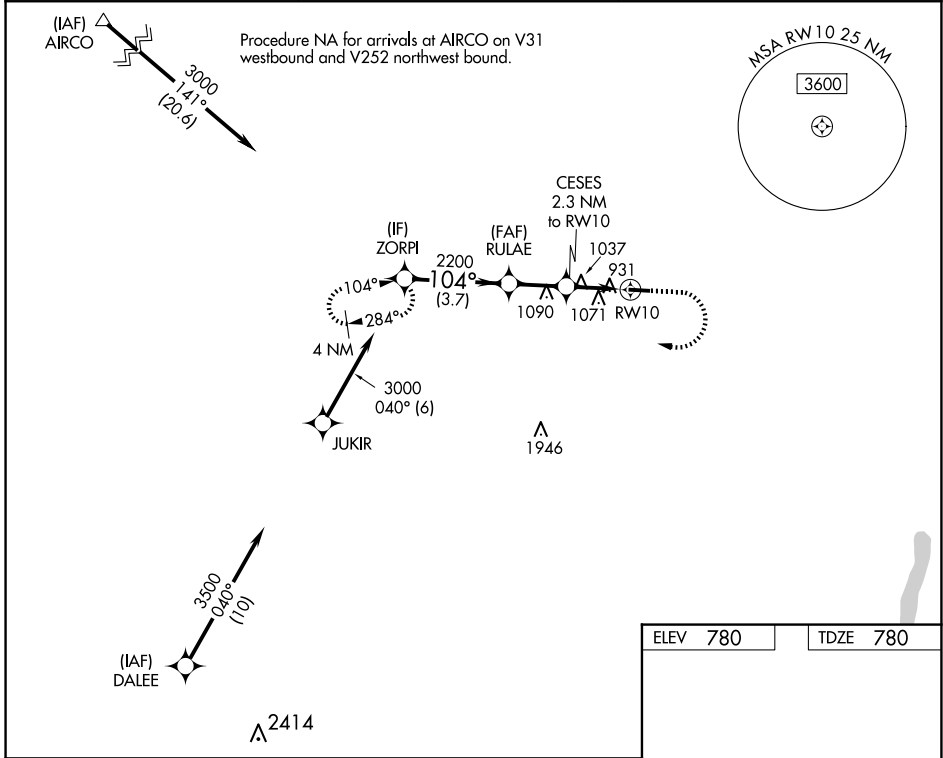
WAAS CH 61030 W10A	APP CRS 104°	Rwy Idg TDZE Apf Elev	3854 780 780
--	------------------------	-----------------------------	---

RNAV (GPS) RWY 10

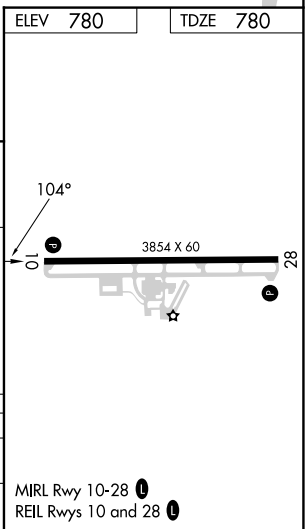
LE ROY (5GⓈ)

RNP APCH-GPS.		MISSED APPROACH: Climb to 1500 then climbing right turn to 3000 direct ZORPI and hold.
Procedure NA at night. Rwy 10 helicopter visibility reduction below 1 SM NA. Use Rochester altimeter setting.		

ROC ASOS 124.825	ROCHESTER APP CON 123.7 322.3	UNICOM 122.8 (CTAF) 0
----------------------------	---	---------------------------------



ELEV 780		TDZE 780	
ZORPI		ZORPI	
3000		3000	
104°		104°	
RULAE		RULAE	
2200		2200	
3.00° TCH 31		3.00° TCH 31	
1540		1540	
RW10		RW10	
3.7 NM		2.1 NM	
2.3 NM		2.3 NM	
CATEGORY	A	B	C
LP MDA	1360-1	580 (600-1)	NA
LNAV MDA	1400-1	620 (700-1)	NA



NE-2, 15 MAY 2025 to 12 JUN 2025

NE-2, 15 MAY 2025 to 12 JUN 2025