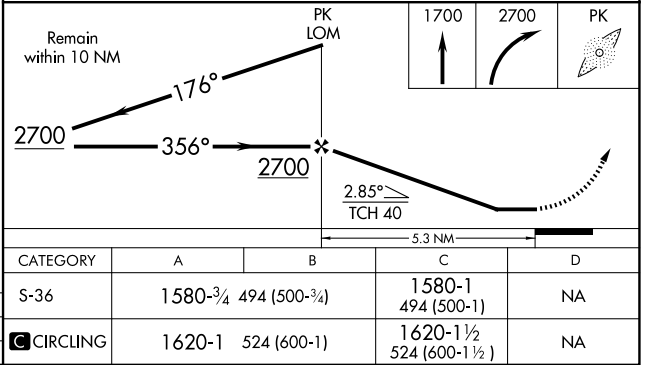
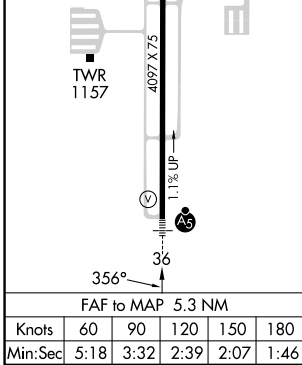
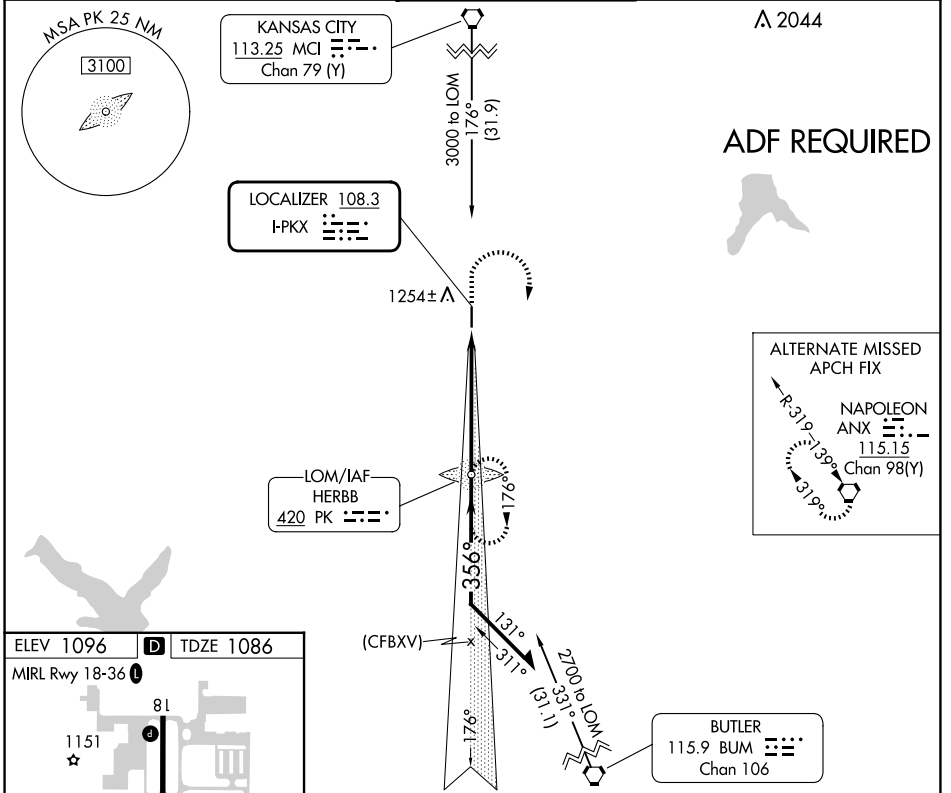


LOC I-PKX 108.3	APP CRS 356°	Rwy ldg TDZE Apt Elev	4097 1086 1096
---------------------------	------------------------	-----------------------------	---

LOC RWY 36
JOHNSON COUNTY EXEC (OJC)

NA Helicopter visibility reduction below 3/4 SM not authorized. For inoperative MALSRS, increase S-36 Cats A and B visibility 1/4 mile.	MALSRS A5	MISSED APPROACH: Climb to 1700 then climbing right turn to 2700 direct HERBB LOM and hold.		
ATIS 119.35	KANSAS CITY APP CON 118.9 251.075	EXECUTIVE TOWER* 126.0 (CTAF) 225.4	GND CON 121.6	UNICOM 122.95



NC-2, 15 MAY 2025 to 12 JUN 2025

NC-2, 15 MAY 2025 to 12 JUN 2025