

VORTAC MSN 108.6 Chan 23	APP CRS 106°	Rwy Idg TDZE Apt Elev 920	N/A N/A 920
--	------------------------	--	--------------------------

VOR or GPS-A
BLACKHAWK AIRFIELD (87Y)

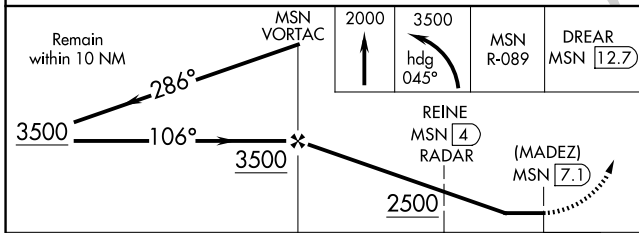
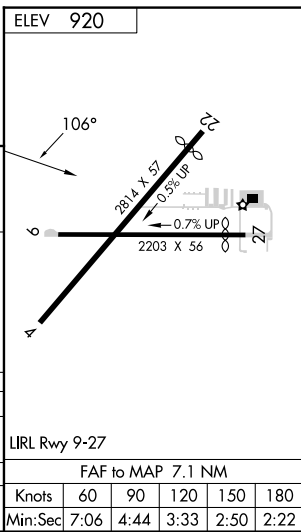
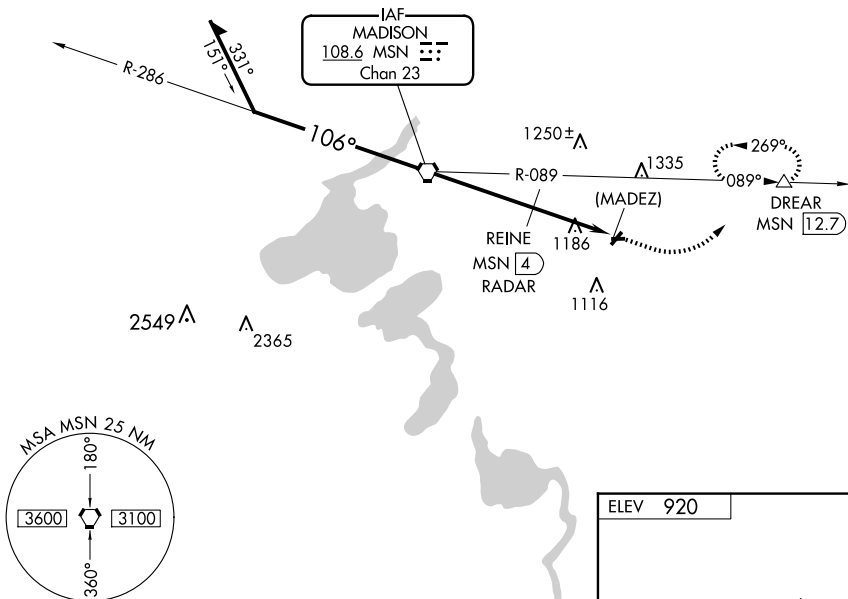
NA Use Dane County Rgnl-Truax Fld altimeter setting. DME required.

MISSED APPROACH: Climb to 2000 then climbing left turn to 3500 via heading 045° and MSN R-089 to DREAR/MSN 12.7 DME and hold.

MADISON APP CON* **120.1 343.7**

UNICOM **122.7 (CTAF)**

NoPT for arrivals on MSN VORTAC radials 231 CW 351.



CATEGORY	A	B	C	D
CIRCLING	2500-1¼ 1580 (1600-1¼)	2500-1½ 1580 (1600-1½)	NA	NA
REINE FIX MINIMUMS				
CIRCLING	1520-1 600 (600-1)	1560-1 640 (700-1)	NA	NA

LIRL Rwy 9-27					
FAF to MAP 7.1 NM					
Knots	60	90	120	150	180
Min:Sec	7:06	4:44	3:33	2:50	2:22

EC-3, 15 MAY 2025 to 12 JUN 2025

EC-3, 15 MAY 2025 to 12 JUN 2025