

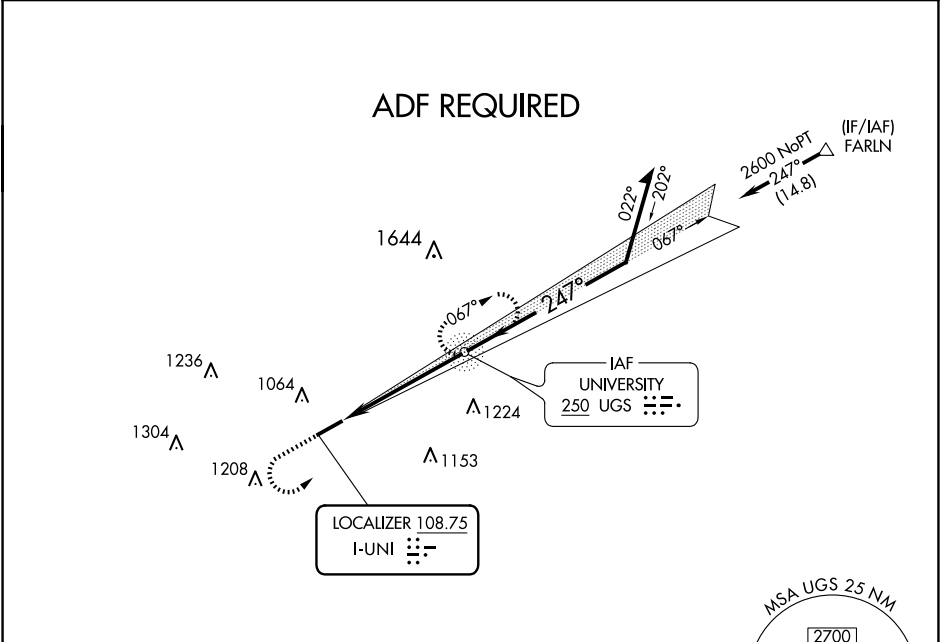
LOC I-UNI 108.75	APP CRS 247°	Rwy Idg TDZE Apt Elev	5600 765 766
----------------------------	------------------------	-----------------------------	---

ILS or LOC RWY 25

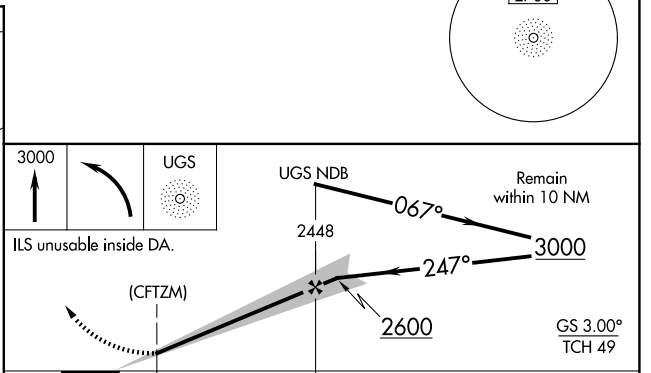
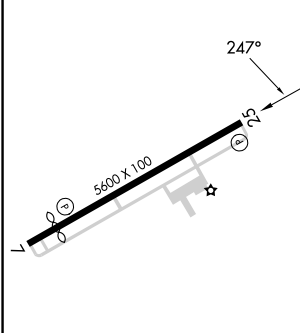
OHIO UNIVERSITY (UNI)

<p>▽ ADF required.</p> <p>△ NA</p>	<p>MISSED APPROACH: Climb to 3000 then left turn direct UGS NDB and hold.</p>
--	---

AWOS-3 128.325	HUNTINGTON APP CON 120.95 270.1	CLNC DEL 120.95	UNICOM 123.075 (CTAF) 0
--------------------------	---	---------------------------	-----------------------------------



ELEV 766	TDZE 765
----------	----------



MIRL Rwy 7-25 REIL Rws 7 and 25	FAF to MAP 4.6 NM																																
<table border="1"> <tr> <th>Knots</th> <td>60</td> <td>90</td> <td>120</td> <td>150</td> <td>180</td> </tr> <tr> <th>Min:Sec</th> <td>4:36</td> <td>3:04</td> <td>2:18</td> <td>1:50</td> <td>1:32</td> </tr> </table>	Knots	60	90	120	150	180	Min:Sec	4:36	3:04	2:18	1:50	1:32	<table border="1"> <thead> <tr> <th>CATEGORY</th> <th>A</th> <th>B</th> <th>C</th> <th>D</th> </tr> </thead> <tbody> <tr> <td>S-ILS 25</td> <td colspan="4">974-1 209 (300-1)</td> </tr> <tr> <td>S-LOC 25</td> <td>1420-1</td> <td>655 (700-1)</td> <td>1420-1$\frac{7}{8}$</td> <td>655 (700-1$\frac{7}{8}$)</td> </tr> <tr> <td>CIRCLING</td> <td>1420-1</td> <td>654 (700-1)</td> <td>1420-1$\frac{7}{8}$ 654 (700-1$\frac{7}{8}$)</td> <td>1480-2$\frac{1}{4}$ 714 (800-2$\frac{1}{4}$)</td> </tr> </tbody> </table>	CATEGORY	A	B	C	D	S-ILS 25	974-1 209 (300-1)				S-LOC 25	1420-1	655 (700-1)	1420-1 $\frac{7}{8}$	655 (700-1 $\frac{7}{8}$)	CIRCLING	1420-1	654 (700-1)	1420-1 $\frac{7}{8}$ 654 (700-1 $\frac{7}{8}$)	1480-2 $\frac{1}{4}$ 714 (800-2 $\frac{1}{4}$)
Knots	60	90	120	150	180																												
Min:Sec	4:36	3:04	2:18	1:50	1:32																												
CATEGORY	A	B	C	D																													
S-ILS 25	974-1 209 (300-1)																																
S-LOC 25	1420-1	655 (700-1)	1420-1 $\frac{7}{8}$	655 (700-1 $\frac{7}{8}$)																													
CIRCLING	1420-1	654 (700-1)	1420-1 $\frac{7}{8}$ 654 (700-1 $\frac{7}{8}$)	1480-2 $\frac{1}{4}$ 714 (800-2 $\frac{1}{4}$)																													

EC-2, 15 MAY 2025 to 12 JUN 2025

EC-2, 15 MAY 2025 to 12 JUN 2025